

GROW RACK SYSTEM

Assembly guide

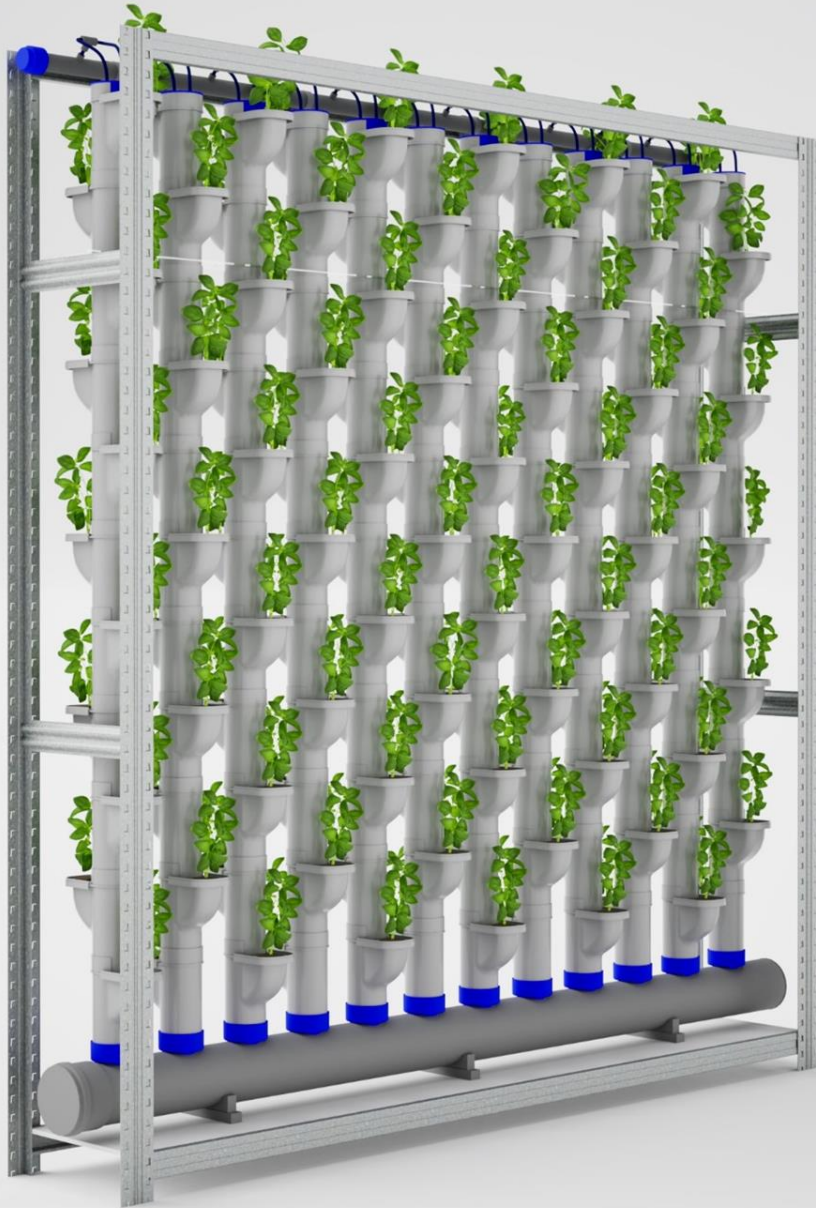


GROW RACK SYSTEM

assembly guide

Welcome to the assembly manual for the GROW RACK SYSTEM, an adaptable and modular solution crafted to effortlessly fit into any indoor or outdoor environment. Each segment covers a width of 1.8 meters and provides adjustable heights from 2 to 5 meters, accommodating various requirements of your space.

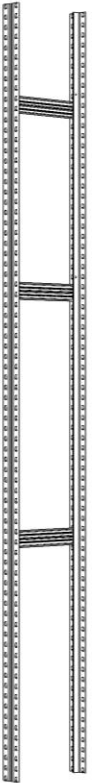
This guide walks you through the assembly process, guaranteeing a streamlined and effective setup experience.



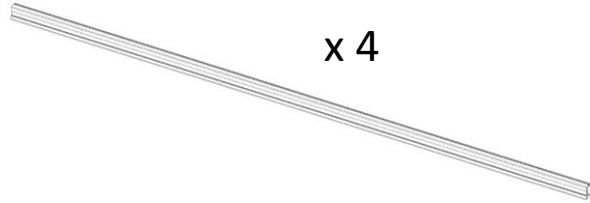
GROW RACK SYSTEM



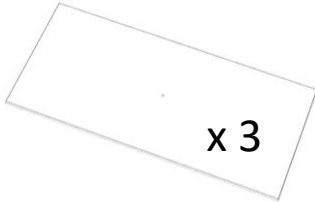
Included parts



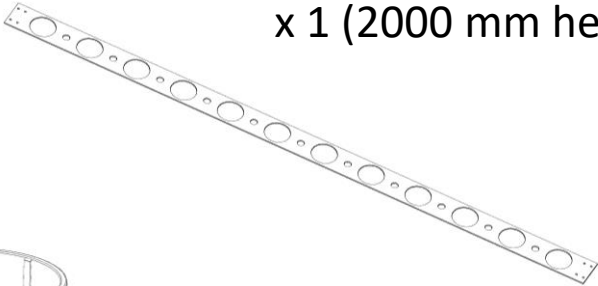
x 2



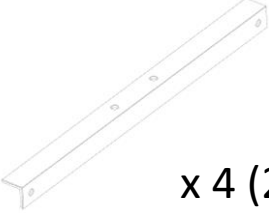
x 4



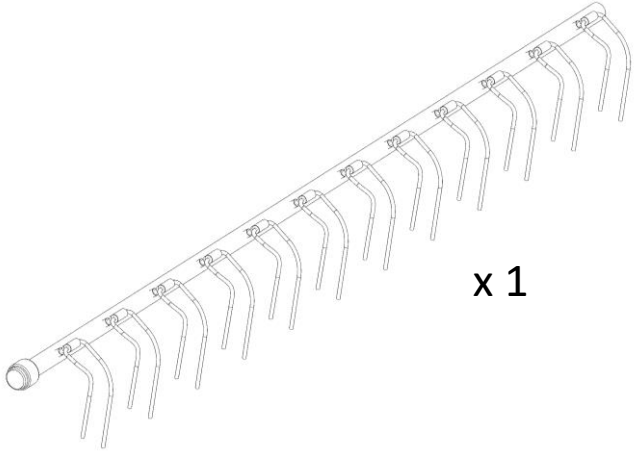
x 3



x 2 (2500 mm height)
x 1 (2000 mm height)



x 4 (2500 mm height)
x 2 (2000 mm height)



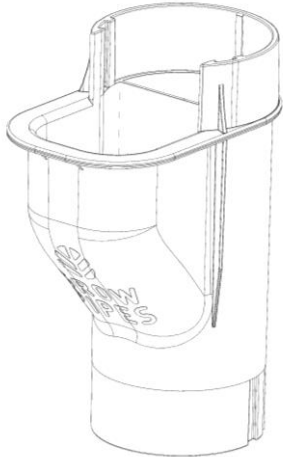
x 1



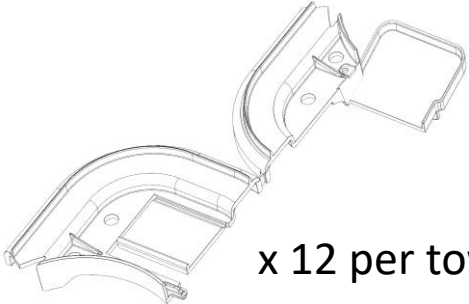
x 12



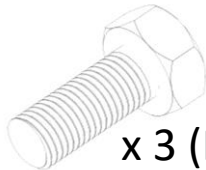
x 12



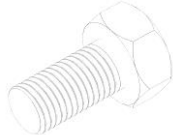
x 12 per tower



x 12 per tower



x 3 (M8)



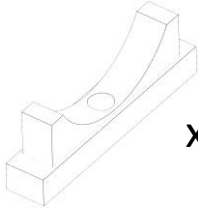
x 16 (M6)



x 24 (M6)



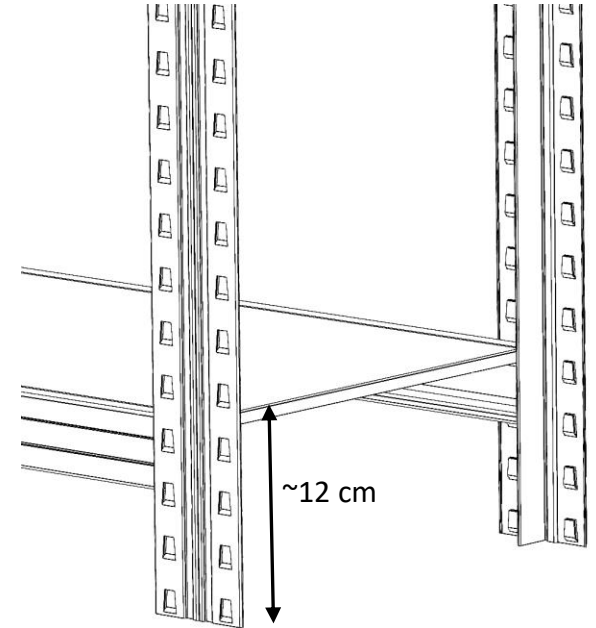
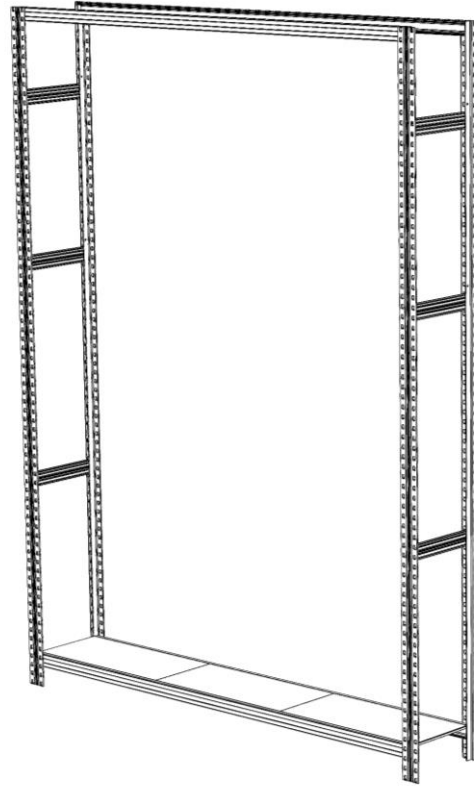
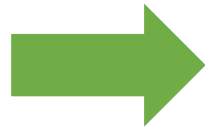
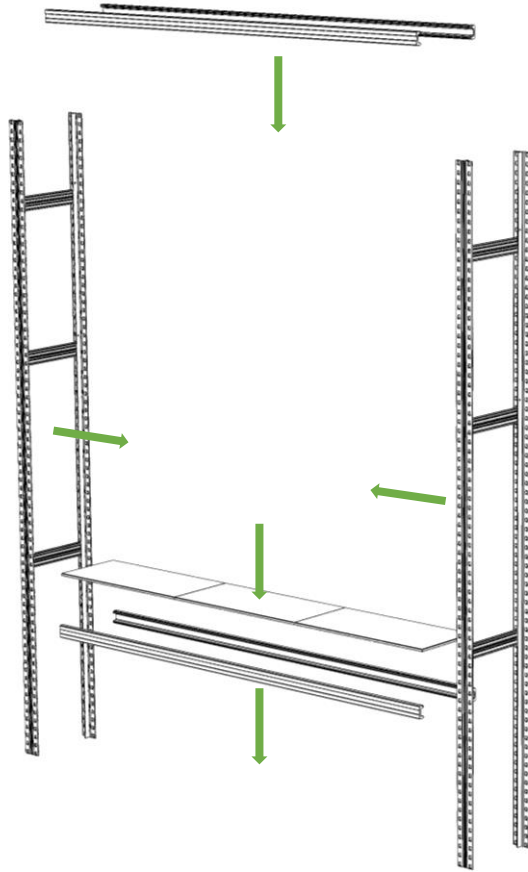
x 3 (M8)



x 3

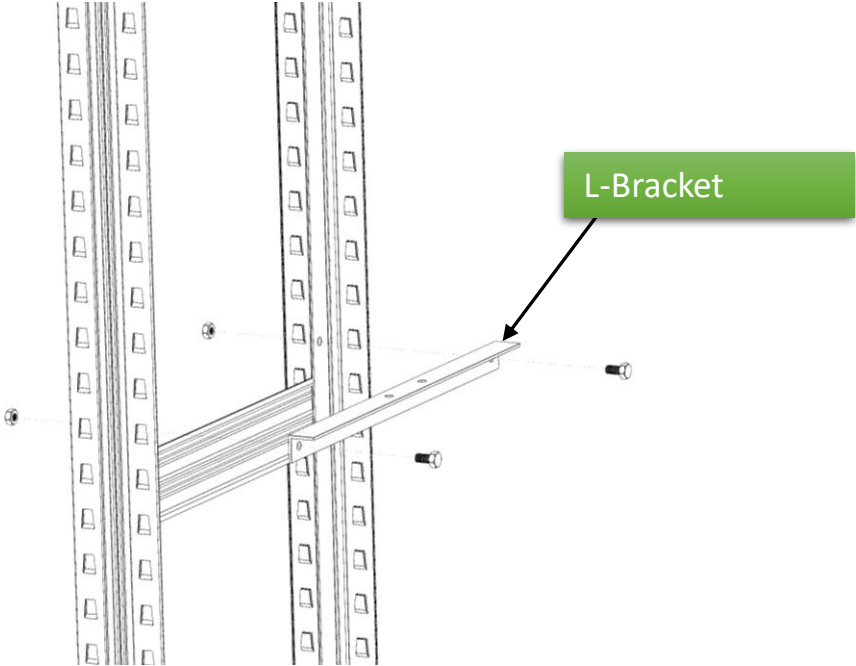
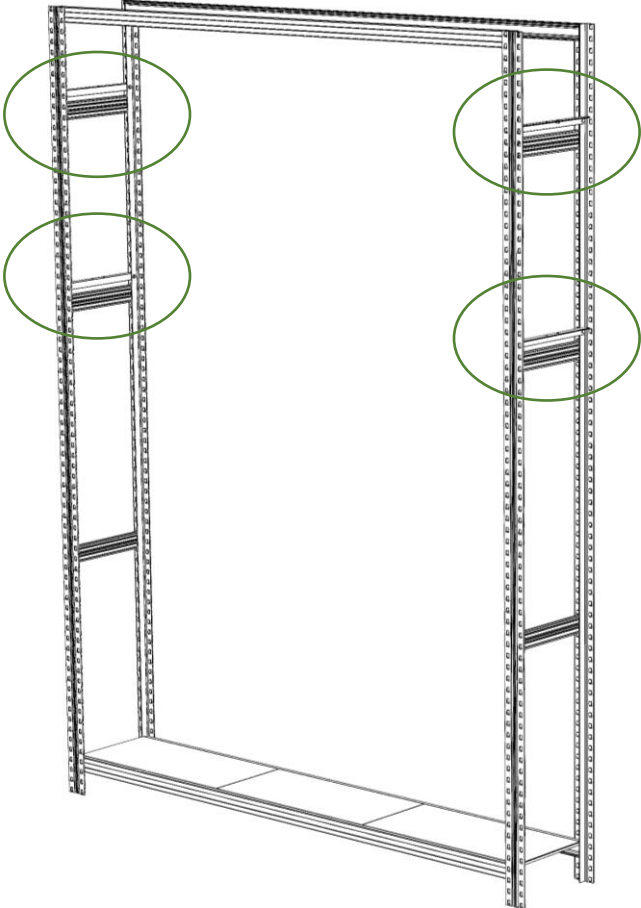
GROW RACK SYSTEM

Assembly the shelf gables, beams and floor sections.
No fastenings are needed in this step



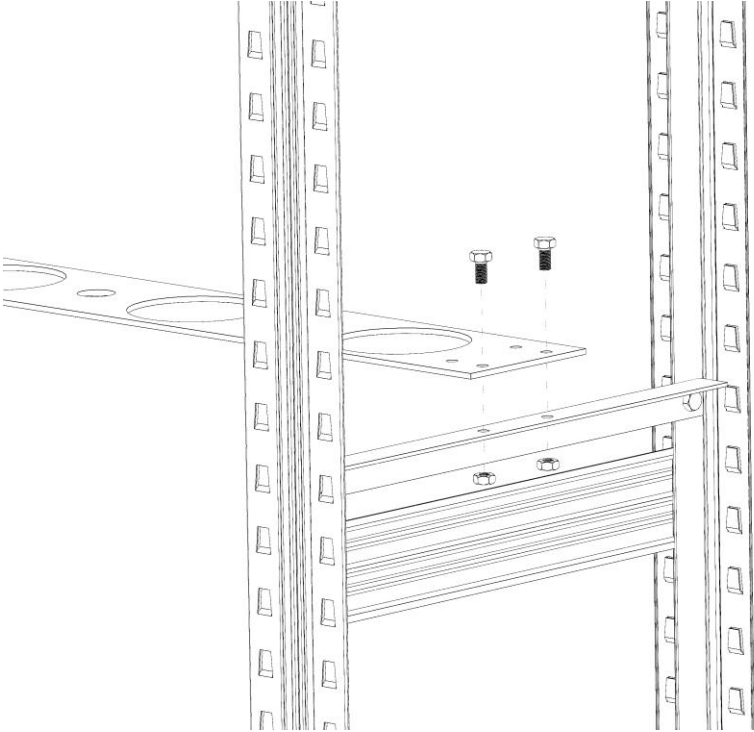
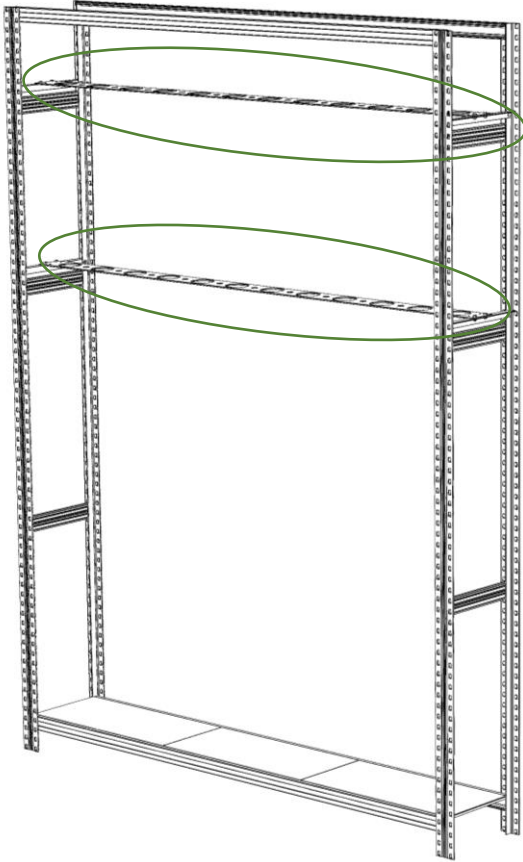
GROW RACK SYSTEM

Mount the L-brackets:



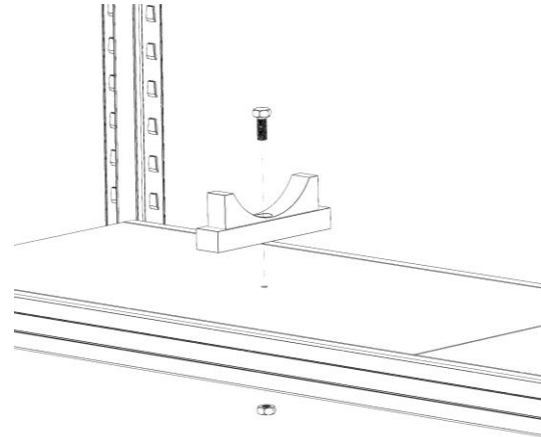
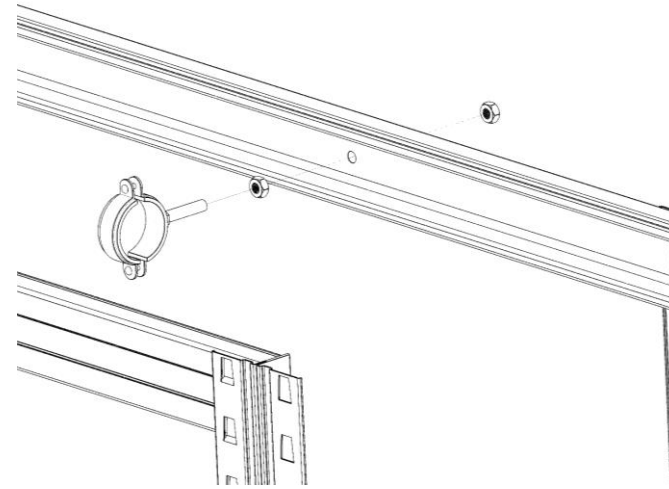
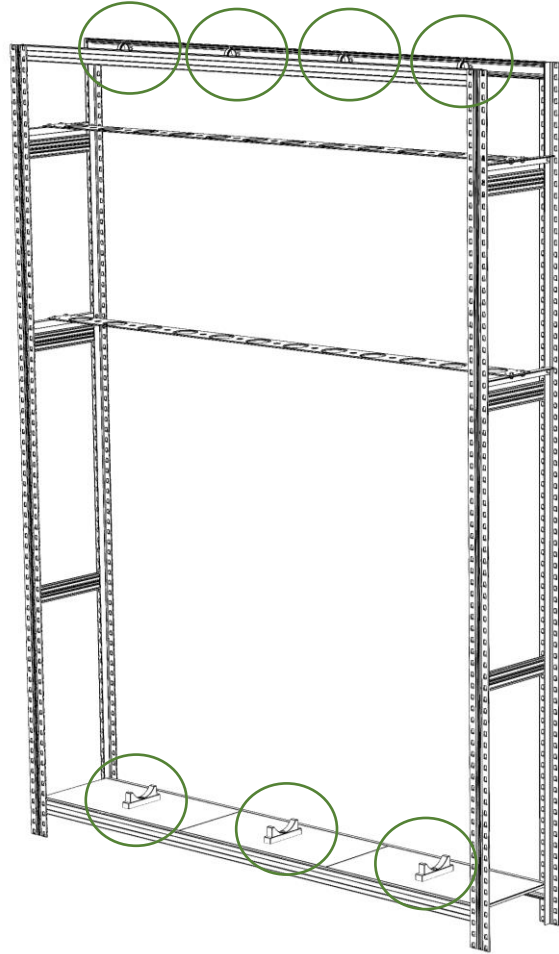
GROW RACK SYSTEM

Mount the fixing plates



GROW RACK SYSTEM

Mount the pipe clamps



GROW RACK SYSTEM

Mount the drainage pipe, root stoppers, GROWPIPES and feed pipe.

